

***When a Book is Like a Person:
Lessons from Book Repair***

Rev. Steven Epperson

- January 3, 2016 - 11:00 am -

UNITARIAN CHURCH OF VANCOUVER

Celebration of Worship

January 3, 2016

At the front of the church you will find unlit candles. You are welcome to light a candle in remembrance, in gratitude, in prayer, in celebration.



The prelude beginning at 10:45 am helps to create a spirit for shared celebration and worship. Please refrain from conversing and please turn off your cell phones.



Prelude

Well-Tempered Clavier Books 1, 2 (selections) J.S. Bach
E. Dainow, piano

Opening Words/Greeting Our Neighbours

Rev. Steven Epperson

Kindling the Chalice Flame

Responsive Reading #544

New Year's Day

Opening Hymn #58

Ring Out, Wild Bells

Story for All Ages

read by Rev. Steven Epperson

Let Sing the Children Out “*Go now...*”

Welcome and Announcements

Julia Meyers

Reading from the Book of Celebrations and Concerns

Julia Meyers

Offering

We deeply appreciate your presence here, your offerings and the gifts you share.

Prelude in C (Book 1) J.S. Bach
E. Dainow, piano

Meditation, spoken then silent

Rev. Steven Epperson

Musical Response

Fugue in C minor (Book 1) J.S. Bach
E. Dainow, piano

Sermon

When a Book is Like a Person: Lessons From Book Repair
Rev. Steven Epperson

Benediction/Extinguishing the Chalice Flame

Valediction

Carry the flame of peace and love, until we meet again.

Carry the flame of peace and love, until we meet again.



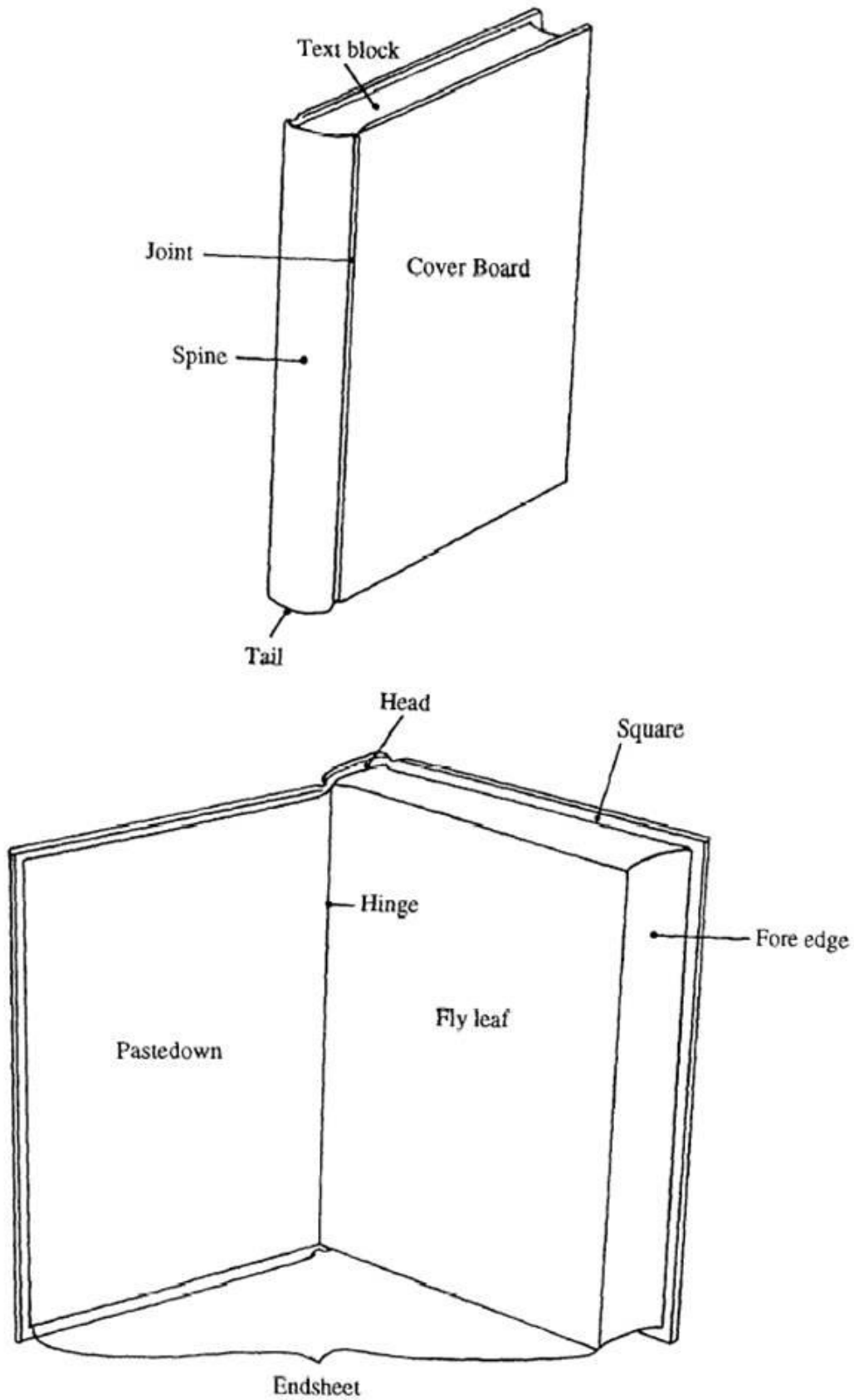
January 10, 2016, 11 am

***What We're (not) Talking About,
When We're Talking About God***

Rev. Steven Epperson

The seats in the rear of the church are **reserved**:
(when facing the front) *left side for parents with babies or small
children in childcare*, and right side for persons in wheelchairs

To subscribe to the email version of the *UCV Events & Order of Service* write:
ucvevents@gmail.com. Please include your name



This diagram was created by Margit J. Smith for the Infopeople Project [infopeople.org], supported by the U.S. Institute of Museum and Library Services under the provisions of the Library Services and Technology Act, administered in California by the State Librarian.

JANUARY 3, 2016

CHILDREN'S PROGRAM: Childcare is available free for the younger ones (aged three and under) in Servetus Room on the main floor of Hewett Centre. Children aged 4 through 12, enjoy our core program.

UCV LIBRARY BOOKS RELATED TO THE SERMON: A few books to consider are *Season and Solstice: A Unitarian Interpretation of the Midwinter Festival*, by Phillip Hewett, 1983; *The Return of the Light: Twelve Tales from Around the World for the Winter Solstice*, by Carolyn McVicker Edwards, 2000; and *Seasonal Feasts and Festivals*, by E. O. James, 1961.

ART AT UCV: Jane Kinegal in the Fireside room with mixed media until Jan 4, 2016.

WOMEN'S WINTER GATHERING: Unitarian and friends of Unitarians will gather for a potluck feast, sacred circle dance, a group art project and time and space to reflect on the year past and look forward to the coming year. RSVP requested. <http://women-friends-2016.eventbrite.ca> Bring a recycled reusable unwrapped gift. Donations will be for the UCV Labyrinth fund. Hewett hall, Sunday, January 3, 6–9 pm. –Mary Bennett maryinvancouver@gmail.com

FORUM: *Kinder Morgan Pipeline Expansion? NEB Process?* Presenter: Karl Perrin. Blurb: During Jan. 18-29 the National Energy Board will hold hearings in Burnaby. Find out why Burnaby Residents Opposing Kinder Morgan Expansion (BROKE) are passionate in their opposition: Climate Change, tanker spills of dilbit, toxic fumes/smoke, few jobs, earthquake risk, etc.

ANNOUNCEMENTS

THE UCV BOARD IS URGENTLY SEEKING VOLUNTEERS to help keep our website up to date. Knowledge of Wordpress is helpful. Former website editors will help with the transition. One to two hours per month. Please email diane@rubyslippers.ca if you are interested in helping out.

UCV COMMITTEE CHAIRS who want anything posted online beyond the scope of an announcement in the Order of Service or a notice in UCV Events can designate a person familiar with WordPress to contact the web editors at web@vancouverunitarians.ca and ask for an author account on UCV Notes. The web editors, John Smith and George Atherton, are resigning and will not be making such posts for groups or committees after February 1, 2016.

JANUARY CIRCLE DINNER--SAVE THE DATE: Please join fellow Unitarians for a post-holiday circle dinner on Saturday, January 16. This is a potluck event hosted in members' homes, generally with 6-8 people attending in each home. It's an opportunity to get to know people more intimately, and to share food and conversation. If you're interested in hosting or attending, or being added to the contact list for future circle dinners, please contact Theresa Marion, 604-687-4864 or tmarion3@yahoo.com.

WOMEN'S ART SHOW—BEYOND THE SURFACE—MARCH, 2016: Women artists are invited to submit by January 31 for this group show. Guidelines and application form on Arts Committee Bulletin board, on web at <http://tinyurl.com/ucvart> or from Laura at laurabowie@hotmail.com

JUNG STUDY GROUP: Anyone interested in pursuing the Jung Study Group as a once-monthly book club this winter should contact Sandra Slade, 604-277-1925, sandra.slade@gmail.com. We could look at Jung's *Four Archetypes* which many of you will have already purchased and read.

HOPE AND BEGINNINGS: SACRED CIRCLE DANCE: Tuesday, January 5, 2016, 7 – 9 pm in Hewett Centre. Join UCV friends and others for an evening of circle dance and poetry facilitated by Leslie Kemp and Denise Nereida. As the light returns and a new year beckons, we invite you to join with us in exploring the themes of “hope” and “beginnings”. Consider what you want to welcome into your life this coming year. No experience necessary, all dances will be taught. All UCV members and friends welcome!

BUMBLEBERRY SUNDAES AND BRING A FRIEND SUNDAY JAN 24, 2016

Take a chance and invite a friend or neighbour Jan 24, they may discover they've always been a Unitarian but didn't know it. After the service, the New U Committee will be serving Bumbleberry Sundaes with juicy berries picked last summer.

TRUTH, HEALING AND RECONCILIATION LEARNING EXPERIENCE: Tuesdays, January 12 to Tuesday, February 2, 7 to 9:30 pm, Fireside Room. We invite you to join us in this 4-session pilot of the CUC's Truth, Healing and Reconciliation Reflection Guides for adults. We ask that people commit to all 4 sessions. These sessions will be facilitated by Rev. Meg Roberts and Leslie Kemp, members of the CUC's THRR Task Force. For more information please contact Leslie at 604-738-1653. Please register by contacting Tara at 604-261-7204

NEW MEMBER RECOGNITION: During the worship service Jan 24, 2016 there will be a short recognition ceremony for those who have recently joined the UCV. We encourage all new members to attend. For further information contact Dianne Crosbie dcrosbie@uniserve.com or the church office 604-261-7204.

NEW COVENANT GROUP TO EXPLORE THOUGHTS AND FEELINGS RELATED TO CLIMATE CHANGE: The group will meet on the first Wednesdays of the month (Jan 6, Feb 3, Mar 2, Apr 6 and May 4), from 6:30–8 pm at Waves coffee shop on Columbia (715 Columbia) in New Westminster, 2 blocks from the New West Skytrain Station. Facilitators: Teresa Morton, Mary Bennett and Keith Wilkinson (Co-sponsored by Beacon Climate Change Task Force & UCV Covenant Groups.)

FREMLIN LABYRINTH: We planted some crocuses—and the squirrels dug them up and ate them. We plan to persevere but also diversify—if you have snowdrops, grape hyacinths or daffodil bulbs to share, please bring for Mary and Patti. Evidently squirrels only like tulips and crocuses. We'd also appreciate dog hair to put on the labyrinth garden. We're told that keeps the squirrels away.

UCV COVENANT GROUPS are reforming for 2016. Each group of 7—10 people explore questions that are spiritual, soulful or ethical nature, in an atmosphere of respect, confidentiality, and non-judgment. Three different groups will meet from 1—2:30 pm at UCV on the 2nd, 3rd and 4th Sundays of each month. There will be room for newcomers in each of the groups, especially those on the 3rd and 4th Sundays. To join or for info, please contact Nan Gregory nangregory@shaw.ca or Keith Wilkinson kwilk1@telus.net .

COFFEE VOLUNTEER: Hi Everyone! I'm currently looking for a volunteer to assist in serving coffee on the 1st, 3rd or 4th Sunday of the month from 11:45 am—1:30 pm. Please contact Adele at 604-603-8593 or ah.dell@hotmail.com. Your help is greatly appreciated! Thank you.

A Warm Welcome!

Please visit our Visitors' Table and get a nametag in the Sanctuary foyer. Drop by the Welcome Table in Hewett Centre after the service and stay for coffee or tea and friendly conversation. Learn about our church and our community. Look for people wearing yellow nametags, who are welcoming you today.

If you are a new family visiting with children or babies, we look forward to welcoming you in person. Free childcare is available for children 3 and under, and children 4 and over are invited to join in this week's program activities. Children are also welcome to stay for the church service if they prefer. If you feel that you need to slip out of the service with a crying baby, please feel free to rejoin the service at any time. The service can also be heard in the foyer and in Hewett Centre.

SUPPORT TEAM TODAY

COFFEE SET UP AND SERVERS	Catherine Stewart, Susan Krug, Adele Cleverdon
FLOWERS	Chris Pearce
LIBRARY AND LITERATURE STALL	Jean Stanton, Randall MacKinnon
LUNCH	No lunch
ORDER OF SERVICE	Tara MacNiven
SOUND	Rob Taylor
GREETERS	Ursula Litzcke, Denise Nereida, Melody mason, Diana Lambrou
WELCOME AND INFORMATION TABLE	George Atherton, Nancy Strider

STAFF

PARISH MINISTER	Rev. Steven Epperson
COMMUNITY MINISTER	Rev. Laura Imayoshi
DIRECTOR OF RELIGIOUS EDUCATION	Morgan Reid
CHOIR DIRECTOR	Donna Brown
MUSIC ASSISTANT TO THE MINISTER	Elliott Dainow
CASUAL CARETAKERS	Bruce Murray, James Wilson Matt Yeung, Ben Yeung, Mark Klassen
CONGREGATIONAL ADMINISTRATOR	Ravina Sangara
OFFICE ASSISTANT / BOOKINGS	Tara MacNiven
SUNDAY RECEPTIONISTS	Virginia Crabill, John Omielan Robert Schultz, Randall McKinnon
UCV LAY CHAPLAINS	Nan Gregory, Nicola Hamilton, Sherry King

The red pulpit hanging is a gift from our partner church in Brassó, Romania.

The Unitarian Church of Vancouver

We are a community of diverse beliefs and shared values.

In fellowship with one another, we seek spiritual growth, social justice, and environmental sustainability through worship, ethical action, education, and artistic expression. We welcome all who would join this compassionate and visionary community

The UCV campus is a Smoke-Free Environment